

# BORE GAUGES FOR BLIND HOLES

New model measures blind-hole diameters with high accuracy and high durability



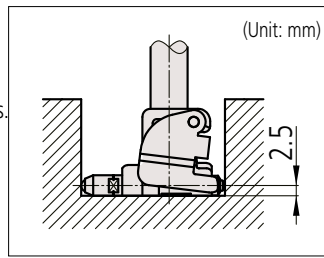
SMALL TOOL INSTRUMENTS  
AND DATA MANAGEMENT

# Bore Gauges for Blind Holes

## Features

- Capable of ID (inside diameter) measurement close to the bottom of a hole.
- Pendulum guide structure improves sliding.
- Carbide contact faces for high durability.
- Large, hollow grip to reduce effect of body heat on high-accuracy measurements.
- Extension rods (optional) can be attached for measuring in deep holes.
- A Bore Gauge Checker and a range of Setting Rings are available for accurately setting a gauge before making a measurement.
- Alternative indicators may be used in place of those recommended\*.

\* Some indicators and protection covers cannot be used with these bore gauges. Contact a Mitutoyo sales office if considering the use of Dial or DIGIMATIC indicators other than the recommended models.



511-426



511-427

## Specification

Order No.	511-425	511-435	511-426	511-436	511-427	511-437
Measuring range	15-35 mm		35-60 mm		50-150 mm	
Indicators (low/high resolution)	2046SB	2109SB-10	2046SB	2109SB-10	2046SB	2109SB-10
Accuracy	Wide-range accuracy		4 μm			
	Repeatability		1 μm			
	Adjacent error		1 μm			
Effective stroke of contact rod			1.2 mm			
No. of anvils	11		6		11	
No. of replacement washers	1		4		4	

Notes: 1) A 10 mm sub-anvil is supplied with **511/425/435** and a 50mm sub-anvil is supplied with **511/427/437**.

2) It is not permissible to use a sub-anvil other than as supplied as a standard accessory, or widen a measuring range by using multiple sub-anvils. (The measurement accuracy in such cases is not guaranteed.)

## Recommended Dial Indicators

Metric models: **2046SB** (0.01 mm)  
**2972TB** (0.01 mm - One revolution type)  
**2109SB-10** (0.001 mm)  
**2900SB-10** (0.001 mm - One-revolution type)

## Recommended DIGIMATIC Indicators

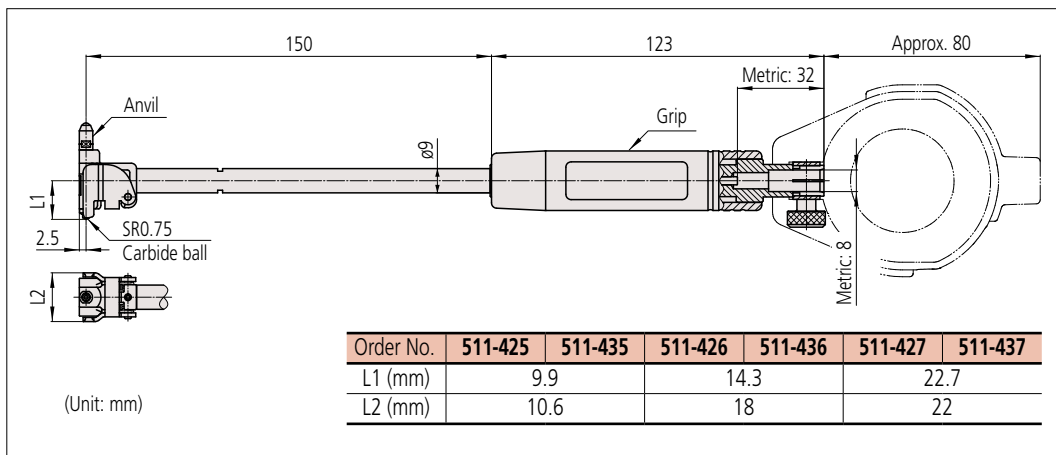
Metric models: **543-310B** (0.001 mm)  
 Note: Indicators equipped with rubber bellows, such as waterproof types, cannot be used.

## For Bore Gauge Applications



543-310B

## DIMENSIONS



# Mitutoyo

Mitutoyo Europe GmbH

Borsigstraße 8-10  
 41469 Neuss Germany

Tel. +49 (0) 2137-102-0  
 Fax +49 (0) 2137-102-351

info@mitutoyo.eu  
 www.mitutoyo.eu



Find additional product literature and our product catalogue

www.mitutoyo.eu

**Note:** Product illustrations are without obligation. Product descriptions, in particular any and all technical specifications, are only binding when explicitly agreed upon.

MITUTOYO and MICAT are either registered trademarks or trademarks of Mitutoyo Corp. in Japan and/or other countries/regions.

Other product, company and brand names mentioned herein are for identification purposes only and may be the trademarks of their respective holders.

Coordinate Measuring Machines

Vision Measuring Systems

Form Measurement

Optical Measuring

Sensor Systems

Test Equipment and Seismometers

Digital Scale and DRO Systems

Small Tool Instruments and Data Management